

# SPECIFICATION SHEET



## Flush mount davit base (for wet concrete insert mounting)

CODE: BTS0026F

### SPECIFICATION

This equipment is considered as part of a personal fall arrest system (PFAS) with a maximum capacity of 2 users at 140 kg (310lb)

each when used with an approved BTS device.

It can also be used (not concurrently) for materials handling with a maximum working capacity dependent to specific davit used.

### MATERIAL AND CONSTRUCTION

Outer sleeve: Hot Dip Galvanised Steel

Sleeve bearing: PVC.

### WEIGHT

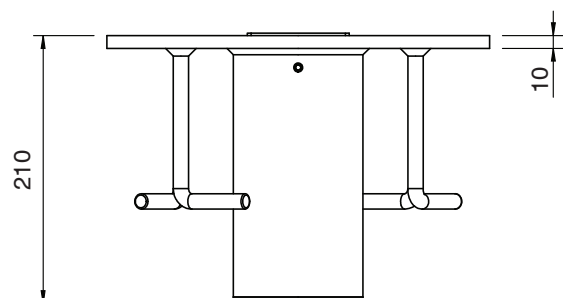
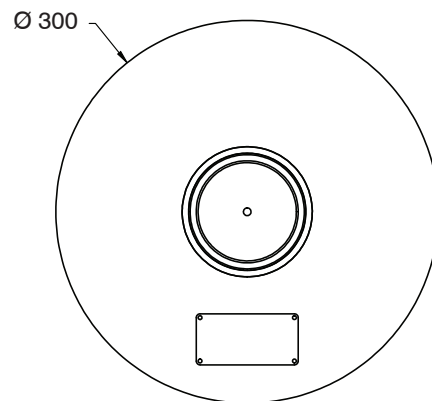
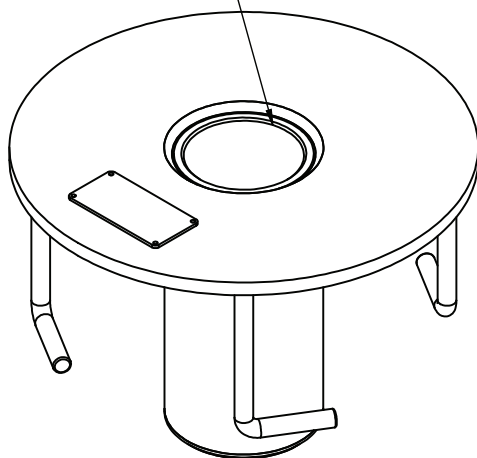
(est.) 8.8 kg

### RESTRICTIONS

- This davit base is designed to be used in combination with other equipment from the BTS range and/or any other equipment from other manufacturers that the installer has received approval in writing from BTS.
- Davit base must be installed by qualified and experienced personnel.
- The installer must follow the manufacturers recommendations at all times.
- Periodic inspections of equipment must be done.
- In the occurrence of a fall or if the safety of the equipment is in doubt, equipment must be removed immediately from service and inspected by qualified and/or competent personnel.
- This equipment must always be operated in a level position.



TO SUIT Ø76.2mm (3")  
DAVIT MAST



# SPECIFICATION SHEET



## Flush mount davit base (for wet concrete insert mounting)

### INSTALLATION

CODE: BTS0026F

#### RECOMMENDATIONS:

Recommendation based on good condition uncracked concrete 32mPa or better.

Slab thickness: 300mm MIN.

Moment capacity: 21,600 N.m

Vertical load: 22,200 N

Note: It is the responsibility of the installer to assure installation compliance.

Suitable for:

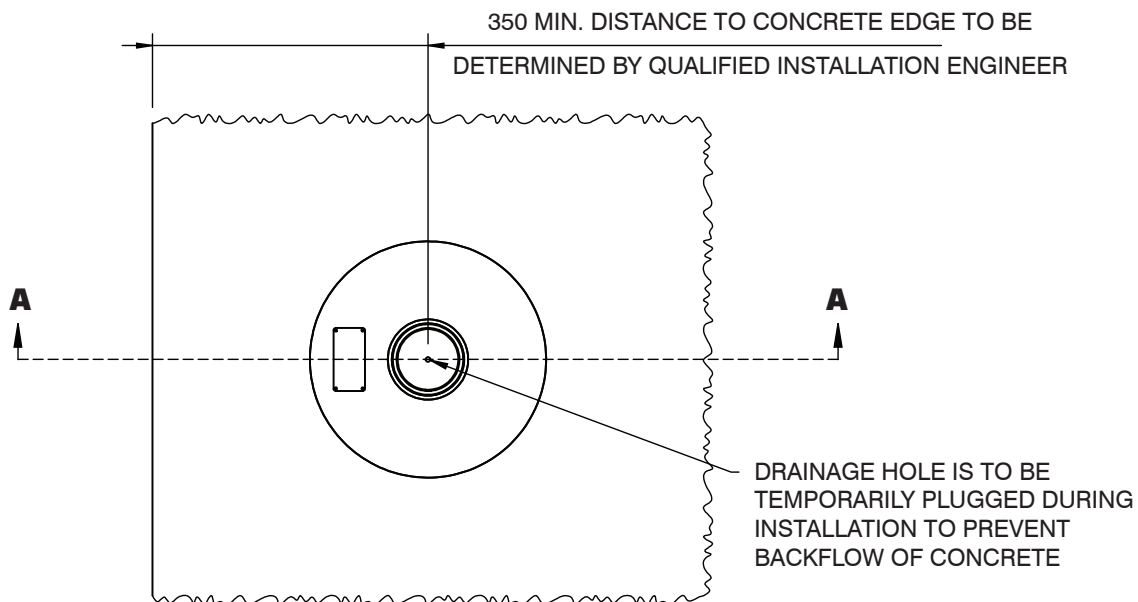
PRO-2G - 50015

PRO-3G - 30106

PRO-4 - 50048

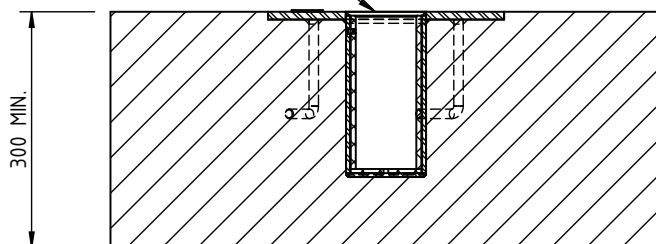
PRO-6G - 50506

This recommendation is based on the given loads and concrete specifications, It is the responsibility of the field engineer to assure the installation and the capacity of the underlying concrete structure.



TO PREVENT BUILD-UP OF DEBRIS HOLE SHOULD BE COVERED WITH DAVIT BASE CAP 30069

ENSURE THAT DAVIT BASE IS INSTALLED VERTICALLY ( $\pm 0.5^\circ$ ) PRIOR TO CONCRETE SETTING



SECTION A-A