



# CONFINED SPACE

## PRO-6G Davits

# PRO-6G DAVITS



50506

### PRODUCT FEATURES

- Manufactured using 6061-T6 Aluminium.
- Powder-coated with AkzoNobel Interpon D610 advance coating.
- Modular construction of up to 4 pieces allowing for ease of transport and storage.
- Stainless steel CNC machined failsafe device with mechanical fuses.
- 5 Offset adjustment settings from 0.5m (1.64 ft) to 0.75m (2.46 ft) with self locking indexing pin.
- No special tools required for assembly or disassembly.
- Suitable for both man and material lifting/lowering applications.
- Maximum rated capacity 140kg (310 lbs) material handling.
- Primary anchor is Man rated to 140kg (310 lbs) including all tools and clothing.
- Secondary anchor is man rated 140kg (310 lbs) (anchor point for winch operator).
- Suitable for use in both permanent and portable davit bases.
- Swivel 360 degrees.
- Quick connect winch interface bracket.
- Self locking Indexing Pin (Spring Loaded Pin) arrangement allows for quick and easy adjustment and locking of offset at different set intervals.
- No specialist tools required to repair the system after a fall or overload has occurred.
- Use of the in-line 0.6m (1.96 ft) mast extender allows for ease of positioning rescue stretchers over obstacles like guardrails.
- Patent Pending System.

### Specifications

|                                    |  |
|------------------------------------|--|
| Ultimate Strength Rating:          | Jib: 15kN (3372 lbs).   Mast: 22.2kN (5000 lbs).                       |
| Capacity: Maximum number of users: | Max. 2 users, 1 person no more than 140kg (310 lbs) per anchor point.* |
| Allowable MAF/AAF for SRL/SRD:     | 6 kN (1,350 lbs).  |
| Reach (5 Offset settings):         | 0.5m (1.64 ft) to 0.75m (2.46 ft).                                     |
| Height:                            | Max: 2.79m (9.15 ft) Min: 1.96m (6.43 ft).                             |

\* Capacities quoted when used in conjunction with a man rated winch

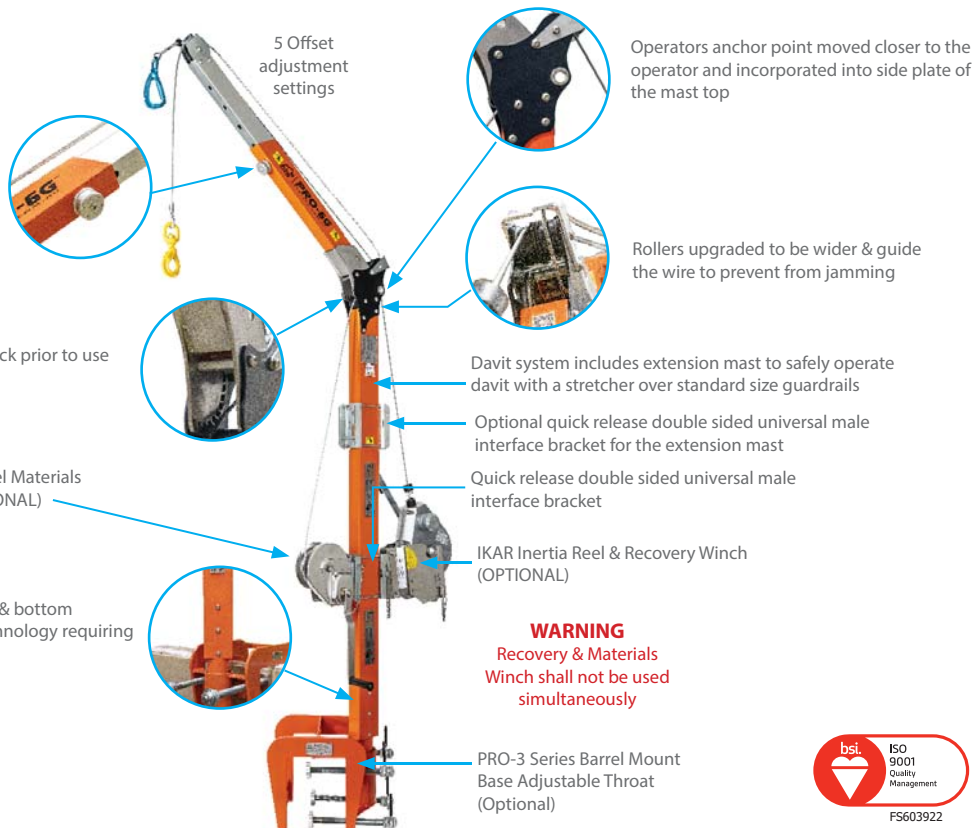
### Typical Set-up

Simple Self locking Indexing Pin (Spring Loaded Pin)

Fall/Overload indicator, easy to check prior to use and easy to replace if required

Stainless Steel Materials Winch (OPTIONAL)

Main sections of mast for both top & bottom manufactured using advanced technology requiring no welds





# CONFINED SPACE

## PRO-6G Davits & Accessories

### PRO-6G DAVITS & ACCESSORIES



50506B

50506C



60202UB

50506D

50506E



SSJC-C820M



60202UF



SSJC-C820



60202UIM



SSJC-C820S



60217



HRA-12TA  
HRA-18TA /  
HRA-24TA



50506BX



40003B

#### PRO-6G DAVITS

| Model Description  | Reach m (ft)                | Height m (ft)                          | Code  |
|--|-----------------------------|--|-------|
| PRO-6G Davit - 2.79m <b>4 piece</b> c/w 1 x Quick Release Double Sided Universal Male Interface Bracket. | 0.5m (1.64) to 0.75m (2.46) | Min: 1.96m (6.43)<br>Max: 2.79m (9.15) | 50506 |

#### PRO-6G DAVITS SPARE PARTS

| Model Description  | Code    |
|--|---------|
| PRO-6G Davit - Section Boom.                                 | 50506B  |
| PRO-6G Davit - Section Top Mast.                             | 50506C  |
| PRO-6G Davit - Section Mast Extension.                       | 50506D  |
| PRO-6G Davit - Section Bottom Mast.                          | 50506E  |
| Quick Release Double Sided Universal Male Interface Bracket. | 60202UB |

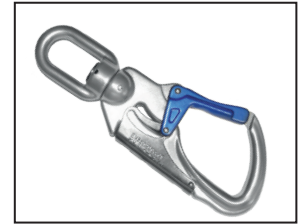
#### PRO-6G DAVITS ACCESSORIES

| Model Description  | Code                           |
|--|--------------------------------|
| Female Single Uni Interface Davit Winch Bracket.   | 60202UF                        |
| IKAR Rescue Winch Bracket c/w Female Single Interface Brackets.  | 60202UIM                       |
| BTECH Man / Materials Rated Winch with 18, 30, 45, 60, 76 & 90m (59, 98, 147, 196, 249 & 295 ft) wire rope.  | See page 42-43                 |
| S/S Man Rated Winch c/w Female Interface Bracket with 18m x 6mm (59' x 1/4") 7x19 H.D.G Grade G1970 Wire rope with Double Action Swivel Safety Hook c/w Fall Arrest Indicator. | SSJC-C820M                     |
| S/S Material Winch c/w Female Interface Bracket with 18m x 6mm (59' x 1/4") HDG W/R with G80 Swivel S/L HK.  | SSJC-C820                      |
| S/S Material Winch c/w Female Interface Bracket with 18m x 6mm (59' x 1/4") S/S W/R with G100 Swivel S/L HK.   | SSJC-C820S                     |
| IKAR Recovery Winch 12, 18 or 24 m (39, 59 or 78 ft).  | HRA-12TA, HRA-18TA<br>HRA-24TA |
| Aluminium Equipment Storage Box for PRO-6G Davit.  | 50506BX                        |
| BTECH Storage/Carry Bag.   | 40003B                         |

See pages 26, 27 & 28 for available bases

## HRA 12

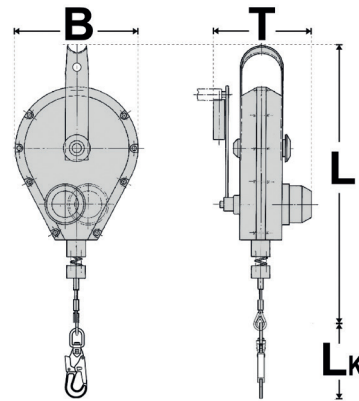
according to EN 360:2002, EN 1496:2007, ANSI Z359.14-2014



IKV 21 (EN 362:2004-T)  
with fall indicator



IKV 33 (ANSI Z.359.1-2007;  
CSA Z259.12-2011)  
with fall indicator



### Explanation for the device names:

- H** = Height Safety Device
- R** = Rescue hoisting facility
- S** = Let-down function
- P** = Plastic housing
- Number** = Insert length of the device

### Product information:

| Order No.: | Application length | Housing   | Weight | Dimensions (LxBxT) | Connector (L <sub>K</sub> ) |        |
|------------|--------------------|-----------|--------|--------------------|-----------------------------|--------|
|            |                    |           |        |                    | IKV 21                      | IKV 33 |
| 41-HRA 12  | 12 m               | Aluminium | 7,0 kg | 450 x 195 x 180 mm | 186 mm                      | 196 mm |

### Features:

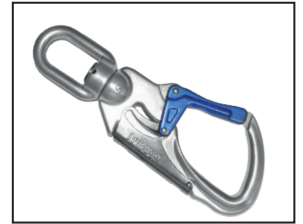
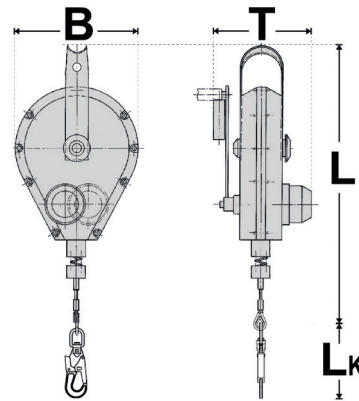
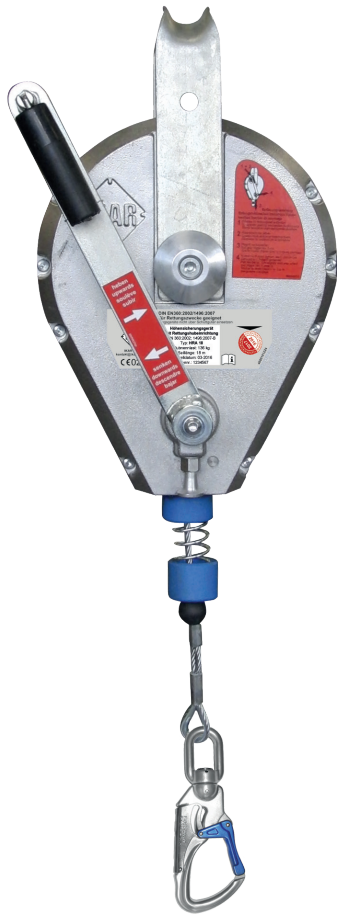
#### Height safety devices with rescue hoisting facility and internal energy absorbing

- Resistant and low-maintenance height safety device with rescue hoisting facility and handle
- Robust, seawater-resistant aluminium housing with retractable lifeline made of galvanized steel rope Ø 4,8 mm
- Standard connector IKV 21, swiveling **or** IKV 33
- Rescue hoisting facility with integrated energy absorbing function according to EN 1496: 2007-B, which is in the case of rescue by a second person
- Completely enclosed unit with parts made of stainless steel, sea water resistant aluminium or impact resistant plastic
- Crankshaft diameter: Ø = 470 mm
- Nominal load: 136 kg
- Temperature range of application: -40°C bis +50°C
- Life service: approx 10 years

**Use only in combination with IKAR brackets!**

## HRA 18

according to EN 360:2002, EN 1496:2007, ANSI Z359.14-2014, CSA Z259.2.2-98



IKV 21 (EN 362:2004-T)  
with fall indicator



IKV 33 (ANSI Z.359.1-2007;  
CSA Z259.12-2011)  
with fall indicator

### Explanation for the device names:

- H** = Height Safety Device
- R** = Rescue hoisting facility
- S** = Let-down function
- P** = Plastic housing
- Number** = Insert length of the device

### Product information:

| Order No.: | Application length | Housing   | Weight  | Dimensions (LxBxT) | Connector (L <sub>K</sub> ) |        |
|------------|--------------------|-----------|---------|--------------------|-----------------------------|--------|
|            |                    |           |         |                    | IKV 21                      | IKV 33 |
| 41-HRA 18  | 18 m               | Aluminium | 11,5 kg | 570 x 240 x 200 mm | 186 mm                      | 196 mm |

### Features:

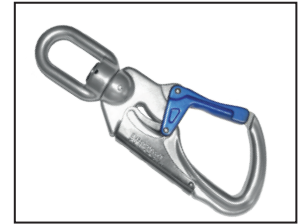
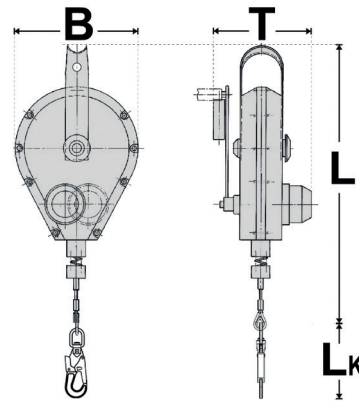
#### Height safety devices with rescue hoisting facility and internal energy absorbing

- Resistant and low-maintenance height safety device with rescue hoisting facility and handle
- Robust, seawater-resistant aluminium housing with retractable lifeline made from galvanized steel rope Ø 4,8 mm
- Standard connector IKV 21, swiveling  
**or** IKV 33
- Rescue hoisting facility with integrated energy absorbing function according to EN 1496: 2007-B, which is in the case of rescue by a second person
- Completely enclosed unit with parts made of stainless steel, sea water resistant aluminium or impact resistant
- plastic Crankshaft diameter: Ø = 550 mm
- Nominal load: 136 kg
- Temperature range of application: -40°C bis +50°C
- Life service: approx 10 years

**Use only in combination with IKAR brackets!**

## HRA 24

according to EN 360:2002, EN 1496:2007, ANSI Z359.14-2014, CSA Z259.2.2-98



IKV 21 (EN 362:2004-T)  
with fall indicator



IKV 33 (ANSI Z.359.1-2007;  
CSA Z259.12-2011)  
with fall indicator

### Explanation for the device names:

**H** = Height Safety Device  
**R** = Rescue hoisting facility  
**S** = Let-down function  
**P** = Plastic housing  
**Number** = Insert length of the device

### Product information:

| Order No: | Application length | Housing   | Weight  | Dimensions (LxBxT) | Connector (L <sub>K</sub> ) |        |
|-----------|--------------------|-----------|---------|--------------------|-----------------------------|--------|
|           |                    |           |         |                    | IKV 21                      | IKV 33 |
| 41-HRA 24 | 24 m               | Aluminium | 16,0 kg | 630 x 275 x 220 mm | 186 mm                      | 196 mm |

### Features:

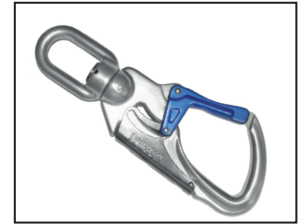
#### Height safety devices with rescue hoisting facility and internal energy absorbing

- Resistant and low-maintenance height safety device with rescue hoisting facility and handle
- Robust, seawater-resistant aluminium housing with retractable lifeline made of galvanized steel rope Ø 4,8 mm
- Standard connector IKV 21, swiveling  
or IKV 33
- Rescue hoisting facility with integrated energy absorbing function according to EN 1496: 2007-B, which is in the case of rescue by a second person
- Completely enclosed unit with parts made of stainless steel, sea water resistant aluminium or impact resistant plastic Crankshaft diameter: Ø = 550 mm
- Nominal load: 136 kg
- Temperature range of application: -40°C bis +50°C
- Life service: approx 10 years

**Use only in combination with IKAR brackets!**

## HRA 33

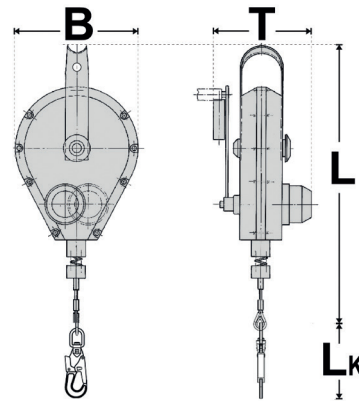
according to EN 360:2002, EN 1496:2007, ANSI Z359.14-2014, CSA Z259.2.2-98



IKV 21 (EN 362:2004-T)  
with fall indicator



IKV 33 (ANSI Z.359.1-2007;  
CSA Z259.12-2011)  
with fall indicator



### Explanation for the device names:

- H** = Height Safety Device
- R** = Rescue hoisting facility
- S** = Let-down function
- P** = Plastic housing
- Number** = Insert length of the device

### Product information:

| Order No.: | Application length | Housing   | Weight  | Dimensions (LxBxT) | Connector (L <sub>K</sub> ) |        |
|------------|--------------------|-----------|---------|--------------------|-----------------------------|--------|
|            |                    |           |         |                    | IKV 21                      | IKV 33 |
| 41-HRA 33  | 30 m               | Aluminium | 21,0 kg | 640 x 315 x 230 mm | 186 mm                      | 196 mm |

### Features:

#### Height safety devices with rescue hoisting facility and internal energy absorbing

- Resistant and low-maintenance height safety device with rescue hoisting facility and handle
- Robust, seawater-resistant aluminium housing with retractable lifeline made of galvanized steel rope Ø 4,8 mm
- Standard connector IKV 21, swiveling  
**or** IKV 33
- Rescue hoisting facility with integrated energy absorbing function according to EN 1496: 2007-B, which is in the case of rescue by a second person
- Completely enclosed unit with parts made of stainless steel, sea water resistant aluminium or impact resistant
- plastic Crankshaft diameter: Ø = 550 mm
- Nominal load: 136 kg
- Temperature range of application: -40°C bis +50°C
- Life service: approx 10 years

**Use only in combination with IKAR brackets!**

# MAN RATED WINCHES



## Man Rated Winches & Accessories

### STAINLESS STEEL HAND BRAKE WINCH

Designed for use with BTS PRO Series davits & tripods.

#### PRODUCT FEATURES

- Compact design.
- Rated Capacity: 140Kg (310 lbs) (Lifting) in line with Man Rated PRO-Series davits & tripods.
- 5:1 gear ratio.
- Very low operator effort required for easy operation.
- Double pawl safety feature.
- Stainless steel construction Grade 304.
- Automatic weather proof Weston brake.
- Automatic load actuated breaking system, no free wheeling under load.
- Winch bearings made from bronze for additional corrosion resistance.
- Ergonomic rubber handle.
- Enclosed gear train.
- Minimum handle effort to lift or pull.
- C/w 18m x 6mm (59' x 1/4") 7x19 H.D.G Grade G1970 Wire rope.
- C/w Double Action Swivel Safety Hook with fall arrest indicator.
- Quick Release female Single Universal Interface Bracket c/w locking toggle pin & jack chain lanyard designed specifically to match BTS Universal quick release interface tripod bracket (30014SB) or BTS Quick Release Double Sided Universal Male Interface Bracket (60202UA).



18m x 6mm (59' x 1/4") 7x19 H.D.G Grade G1970 Wire rope

Note: Stainless Steel wire rope can be supplied as an option

Code: SSJC-C820M

Toggle pin & Jack chain

Double Action Swivel Safety Hook with fall arrest indicator

Quick Release Single Universal Interface Bracket (60202UF)

| STAINLESS STEEL HAND BRAKE WINCH |   |
|----------------------------------|---|
| Code                             | Description   |
| SSJC-C820M                       | Stainless Steel Hand Brake Winches c/w 18m x 6mm (59' x 1/4") 7x19 H.D.G Grade G1970 Wire rope, Double Action Swivel Safety Hook with fall arrest indicator & Quick Release Single Universal Interface Bracket. |
| SSJC-C820MS                      | Same as above, but with 6mm 7 X 19 Grade 316 Stainless Steel wire rope.   |
| 6028TPS                          | Replacement toggle pin & jack chain for 60202UF.  |

Note:  
When using these winches for passenger elevation (Man Riding) the person being elevated MUST also be attached to a secondary SRL device. When a person is attached to this winch at NO time shall the person be exposed to a potential fall that could result in an impact greater than 6kN.



# CONFINED SPACE

## Portable Davit Bases

### PRO SERIES PORTABLE DAVIT BASES

The PRO-3 Series Portable Bases are for rugged and demanding applications using external weight sources to anchor the davit down. Applicable PRO-3 Series Portable Davit Bases feature the "BTS-Klick" pin-less technology adjustment eliminating the possibility of lost or damaged locking pins.



**PRO-3 Series Hitch mount base (30093)**

- The PRO-3 Hitch mount davit base allows the user to connect to their vehicle and use its weight and stability as a counter weight.
- Weight 28kg (62 lbs).



**PRO-3 Series Plus Hitch mount base (30525)**

- Independently adjustable support legs.
- Tow hitch counterweight system.
- Weight 24kg (53 lbs).



**PRO-3 Series Counterweight base (30526)**

- Independently adjustable support legs.
- External plate counterweight (weights are NOT INCLUDED).
- Extensions are available to position system.
- Trolley counterweight base also available.
- Weight 54kg (119 lbs).

PRO-3 Series portable bases allow for easy set-up and use in multiple locations with no need for permanent installations. All PRO-3 Portable Davit Bases feature the "BTS-Klick" pin-less technology adjustment eliminating the possibility of lost or damaged locking pins.



**PRO-3 Portable base (30070)**

- Independently adjustable support legs.
- Opening sizes Ø1.35m (4.42 ft) to Ø1.87m (6.13 ft).
- Weight 27kg (60 lbs).



**PRO-3 Portable Heavy Duty base (30115)**

- Independently adjustable support legs.
- Opening sizes Ø1.45m (4.75 ft) to Ø3.40m (11.15 ft).
- Weight 36kg (79 lbs).



**PRO-3 Bolt-On Flange base (30181)**

- Independently adjustable support legs.
- Fits Flanges Ø0.32m (1.04 ft) to Ø3.35m (11.00 ft).
- Weight 29kg (64 lbs).



**PRO-3 External Tank Collar base (30189)**

- Independently adjustable support legs.
- Fits Flanges Ø0.32m (1.04 ft) to Ø3.35m (11.00 ft).
- Grip range 5mm (0.19 in) - 83mm (3.26 in).
- Weight 30kg (66 lbs).

### PORTABLE I-BEAM & SHORING MOUNT DAVIT BASES



**PRO-3 Series I-Beam Clamp-On sleeve (30165)**

- Grip range 90mm (3.54 in)- 280mm (11.00 in).
- Weight 30kg. (66 lbs).



**PRO-3 Series Shoring Mount base with adjustable throat (30029)**

- Grip range 30mm (1.18 in) - 620mm (24.4 in).
- Weight 34kg. (75 lbs).



**PRO-3 Series Shoring Mount base with adjustable throat (30166R)**

- Grip range 20mm (0.78 in) - 205mm (8.07 in).
- HD Raptor Coating.
- Weight 25kg (55 lbs).



**PRO-3 Series Sheet Piling Mount base with adjustable throat (30168S)**

- Grip range 0mm (0 in)- 25mm (1.0 in).
- HD Raptor Coating.
- Weight 18kg (40 lbs).