



CONFINED SPACE

PRO-3G Davits

PRO-3G DAVITS



30106

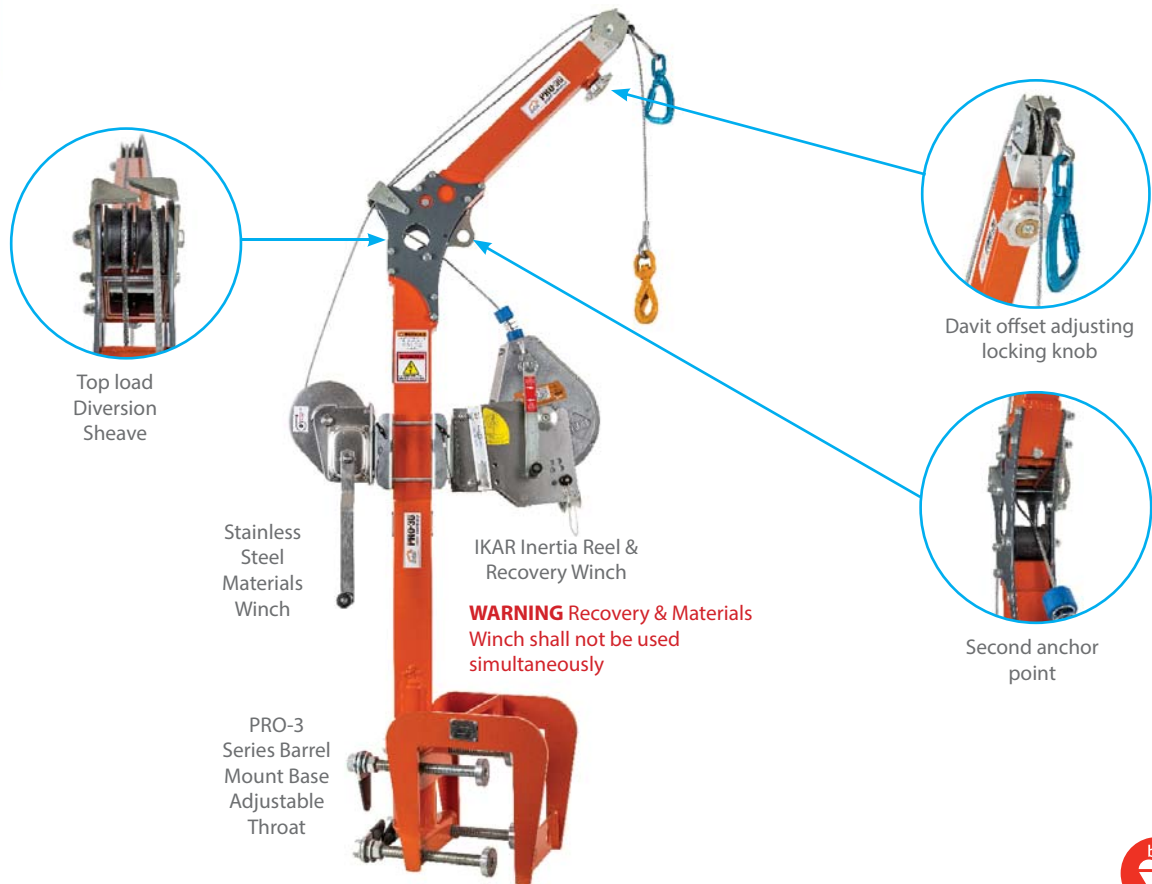
PRODUCT FEATURES

- Lightweight material graded 6061-T6 Aluminium.
- Powder-coated Safety Orange to increase visibility around a workplace .
- Modular in construction with no one component heavier than 10kg (22 lbs).
- Easy to store and can be transported by 1-person.
- Multi-offset mast with a variable reach from 0.5m (1.64 ft) to 0.7m (2.29 ft).
- No special tools required for assembly or disassembly.
- Can be set-up for use with both man-rated and material-rated applications to a max M.R.C. of 140kg (310 lbs) - (Material Rating Only).
- Suits both fixed and portable davit bases with a mast rotation of 360degrees.
- Rated secondary anchor point on vertical mast for connection by the winch operator or stand-by person.
- Quick release winch interface brackets to suit all BTS winches and other reputable winch brands in the market.

Specifications

Ultimate Strength Rating:	Jib: 12kN (2700 lbs). Mast: 13kN (2923 lbs).
Capacity (Rescue):	Max. 2 users, 1 person no more than 140kg (310 lbs) per anchor point.*
Capacity (Fall Arrest):	Max. 2 users, 1 person no more than 140kg (310 lbs) per anchor point.*
Allowable MAF/AAF for SRL/SRD:	6kN (1350 lbs).

* Capacities quoted when used in conjunction with a man rated winch.



Top load Diversion Sheave

Stainless Steel Materials Winch

IKAR Inertia Reel & Recovery Winch

Davit offset adjusting locking knob

Second anchor point

WARNING Recovery & Materials Winch shall not be used simultaneously

PRO-3 Series Barrel Mount Base Adjustable Throat

Typical Set-up

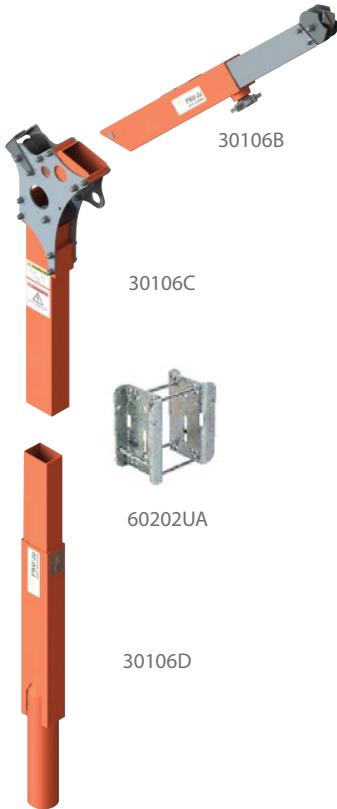




CONFINED SPACE

PRO-3G Davits & Accessories

PRO-3G DAVITS & ACCESSORIES



PRO-3G DAVITS			
Model Description	Reach m (ft)	Height m (ft)	Code
PRO-3G Davit - 2.2m (7.21 ft) 3 piece c/w Quick Release Double Sided Universal Male Interface Bracket & 40003B BTECH storage/Carry Bag.	0.5 - 0.7 (1.64 - 2.29)	1.9 - 2.2 (6.23 - 7.21)	30106

PRO-3G DAVITS SPARE PARTS	
Model Description	Code
PRO-3G Davit - Section Boom.	30106B
PRO-3G Davit - Section Elbow.	30106C
PRO-3G Davit - Section Mast.	30106D
Quick Release Double Sided Universal Male Interface Bracket.	60202UA

PRO-3G DAVITS ACCESSORIES	
Model Description	Code
Female Single Pro-3G Uni Interface Davit Winch Bracket.	60202UF
IKAR PRO-3G Davit Bracket c/w Female Single Interface Brackets.	60202UIM
BTECH Man / Materials Rated Winch with 18, 30, 45, 60, 76 & 90m (59, 98, 147, 196, 249 & 295 ft) wire rope.	See page 42-43
S/S Man Rated Winch c/w Female Interface Bracket with 18m x 6mm (59' x 1/4") 7x19 H.D.G Grade G1970 Wire rope with Double Action Swivel Safety Hook c/w Fall Arrest Indicator.	SSJC-C820M
S/S Material Winch c/w Female Interface Bracket with 18m x 6mm (59' x 1/4") HDG W/R with G80 Swivel S/L HK.	SSJC-C820
S/S Material Winch c/w Female Interface Bracket with 18m x 6mm (59' x 1/4") S/S W/R with G100 Swivel S/L HK.	SSJC-C820S
IKAR Recovery Winch 12, 18 or 24 m (39, 59 or 78 ft).	HRA-12TA, HRA-18TA HRA-24TA
Aluminium Equipment Storage Box for PRO-3G Davit 30106.	30206
Aluminium Equipment Storage Box for PRO-3G Davit 30107 & 30108.	30207
BTECH Storage/Carry Bag.	40003B

See pages 26, 27 & 28 for available bases.



SSJC-C820M



60202UF



SSJC-C820



60202UIM



HRA-12TA
HRA-18TA /
HRA-24TA



60217



SSJC-C820S



30206 & 30207



40003B