

INSTALLATION MANUAL

LADDER SUPPORT BRACKETS

RL401/RL402



Roof and wall mounted ladder support brackets which provide a secure attachment point for portable ladders, preventing movement in any direction.



Product brochure
Ladder support brackets



Installation manual
Ladder support brackets

Find all related products and resources on our website
kattsafe.com.au

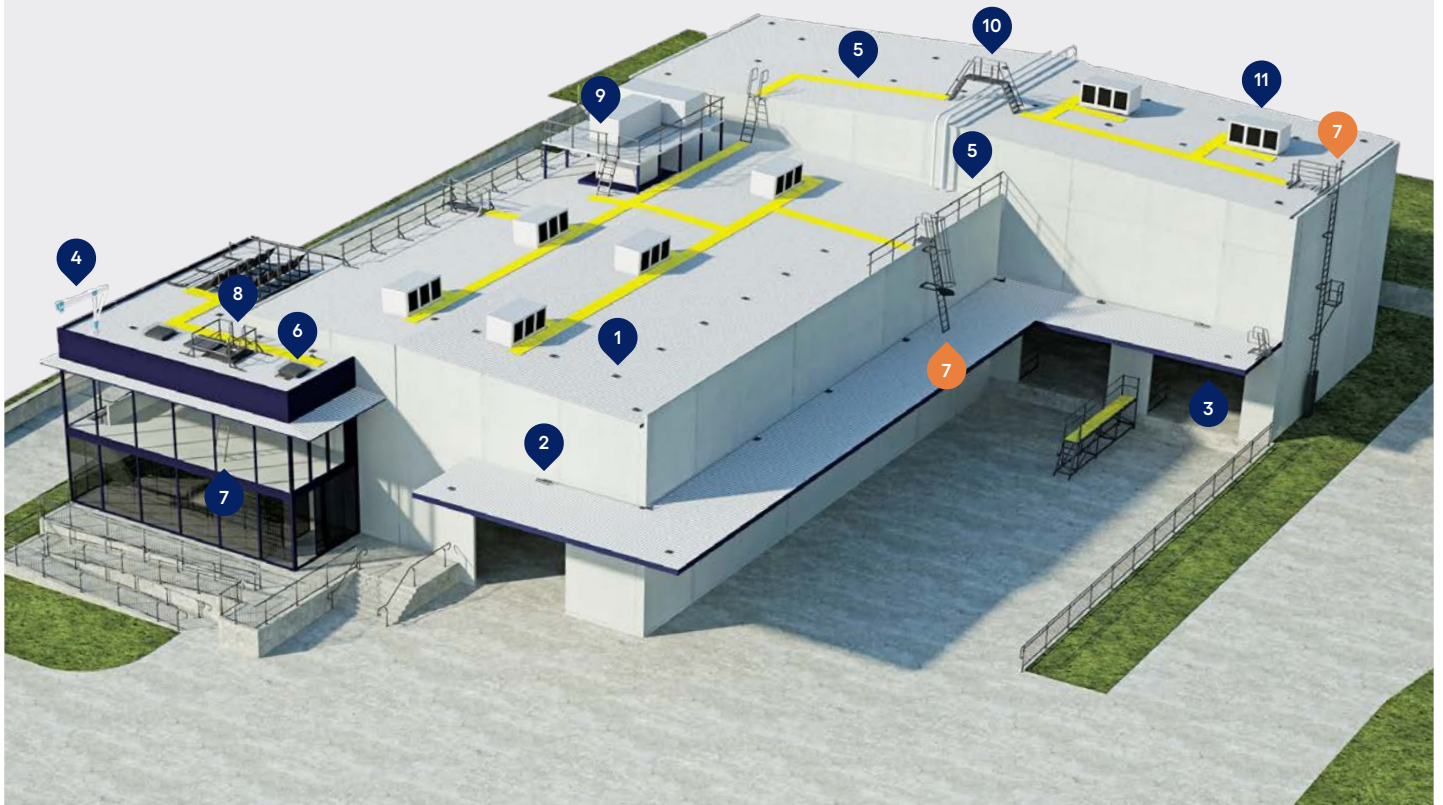
Commercial building height access and fall protection requirements

Kattsafe leads the industry in the design, installation and management of access and fall protection safety systems.

The in-action model demonstrates access and fall protection requirements for a commercial building design. Kattsafe recommendations fulfill current workplace requirements for the safety of building maintenance subcontractors, employees and the general public.

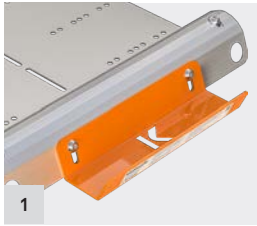
For more information please contact Kattsafe.
kattsafe.com.au

- 1 Anchor points
- 2 Static lines
- 3 Rigid rail
- 4 Davits and needles
- 5 Guardrail and walkway
- 6 Skylight protectors
- 7 Rung ladders
- 8 Access hatches
- 9 Platforms and stairs
- 10 Step ladders
- 11 HVAC platforms



LADDER SUPPORT BRACKET

Ladder support brackets for easy and secure ladder positioning



Pitch adjustment

Allows attachment to varying roof pitches.



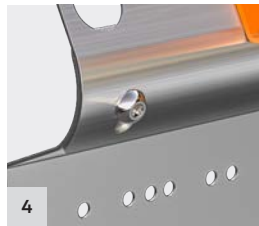
Ladder rung support

Easy visibility and ladder attachment.



Tie off points

Provides additional facility to secure ladder.



Ladder angle adjustment

Allows attachment to angled surfaces with rung support kept level.



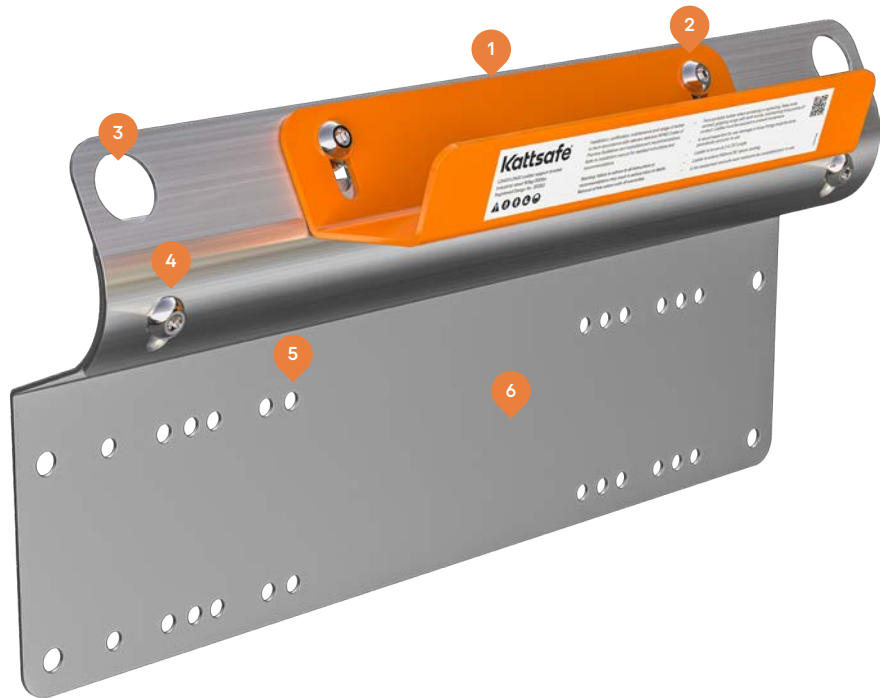
Mounting holes

Ensures easy location for attachment to structure.



Aluminium

Profiled aluminium for an easy to transport, lightweight, corrosive-free finish.



LADDER SUPPORT BRACKET RANGE

RL401 Wall mount

For mounting to vertical walls



RL402 Parapet/gutter mount

For mounting to gutters or parapets



TOOLS AND EQUIPMENT

Cordless drill



8mm metal drill bit



Silicone sealant and applicator



Allan key (provided)



Battery powered Gesipa riveter



or Hand operated Gesipa riveter



Marking pen



Rag or brush



Tape measure



INSTALLATION REQUIREMENTS

Must be read prior to installation

1. Read installation and operating instructions carefully before commencing any work.
2. Conduct an initial work/risk assessment, and take all reasonable precautions to eliminate or reduce potential hazards and risks during the installation of this product.
3. Complete all necessary OH&S documentation, including a Job Safety Analysis and Work Method Statement & obtain consent from responsible person in workplace prior to commencement of work.
4. Installers must possess valid industry licenses, be appropriately trained, and comply with all relevant OH&S legislation during installation of this product.
5. Ensure support structure to which unit is attached, will sustain necessary design loads. (Prior approval may be required from a qualified engineer unless it is clear to a competent person that the structure is adequate.)
6. Do not modify or remove any existing structural component or product without prior authorisation by manufacturer or qualified Engineer.
7. Appropriate temporary access and safety equipment must be used during installation, such as platform ladders or scaffolding and fall protection anchorage points.
8. In case of emergency/rescue, unit must be installed by a minimum of two persons.
9. Do not tamper with, modify or remove any part of unit unless authorised by a responsible person.
10. All Kattsafe products and systems must only be installed by competent and Kattsafe accredited persons.



Kattsafe instructions and recommendations, drawings and diagrams, and all other documentation are copyright, errors and omissions excepted, and must be carefully read and implemented. Any assistance or guidance given is without prejudice, and Kattsafe cannot be held responsible for any inaccuracy or misinterpretation whatever. Failure to follow site installation requirements and warnings, may result in serious injury or death.

Kattsafe accepts no direct or indirect responsibility and/or consequential liability whatever, for any products and systems incorrectly installed or certified. Kattsafe cannot warrant the integrity or suitability of the structure to which the products may be attached. Prior assessment must be made by a qualified structural engineer, unless the structure is authorised or approved by a competent person.

SYSTEM LIMITATIONS

Must be read prior to installation

1. The Kattsafe ladder support bracket is suitable for single (1) person use.
2. Only to be used by competent persons with proof of training by a Registered Training Organisation (RTO) in the use of height safety and fall protection systems.
3. The ladder support bracket must be supported on a firm, level surface capable of withstanding 150kg.
4. The ladder support bracket must extend a minimum of 1000mm above the roof surface/parapet edge/top of the wall to assist exiting the ladder safely onto the roof.
5. The ladder support bracket is to be positioned so that the ladder is resting on the ladder tie off flange and not the mounting structure.
6. It is recommended that the ladder be secured to the ladder bracket using a tie off strap to prevent the ladder being removed whilst in use.
7. Do not tamper with system components.
8. This system is not to be used for tethering or lifting machinery or equipment.
9. The safety system must be recertified by a competent height safety inspector as recommended:
 - Non corrosive/mild environment – 12 monthly
 - Corrosive/harsh environment – 6 monthly (more frequent inspection may be required)



Kattsafe recommends that persons using fall arrest systems do not work alone in case of an emergency and help is required.

Should any part of the system/equipment have been subjected to abnormal loading, use must be discontinued until replaced/recertified by a competent height safety inspector.

DESIGN & LAYOUT

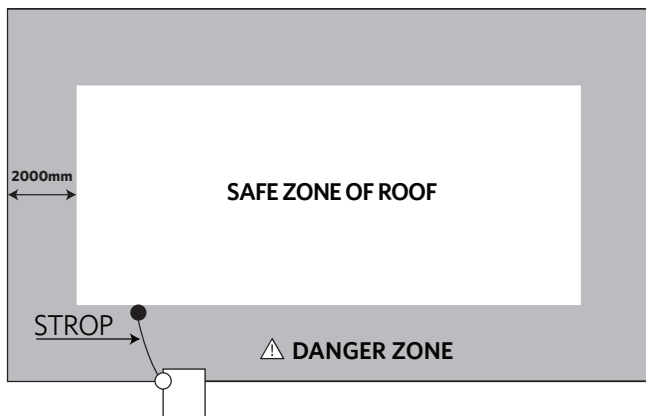
Must be read prior to installation

1. The hierarchy of risk control must be followed at all times.

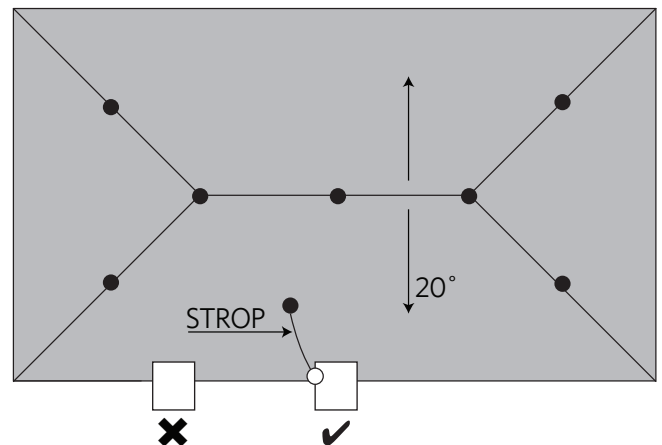


It is important to note that the lower the hierarchy of control, the greater the skill of the operator required and therefore is least preferred compared with a higher hierarchy requiring minimal operator skill and less risk of operator injury as a result of incompetence.

2. Professional guidance on the design and set out of this system should be obtained prior to installation.
3. Certain environments produce acidic atmospheric conditions which are detrimental to steel structures and surfaces. Any acidic environment must be assessed and certified by persons prior to installation of this system.
4. Kattsafe recommend that a ladder support bracket is not used above 4000mm due to the instability of a portable ladder above this height.
5. The ladder support bracket must be positioned to allow the operator to exit onto the safe zone of the roof, at least 2500mm away from a fall edge.
6. Kattsafe recommends that an anchor point with a connecting strop be installed at the ladder bracket allowing the operator to connect to the strop via a harness with lanyard prior to exiting the ladder.
7. The ladder bracket should not be positioned within the vicinity of any pedestrian access doors to avoid collision with the ladder.
8. The ladder bracket should be positioned to allow a 1 in 4 (75°) incline of the ladder



Position ladder to exit onto safe zone of roof at least 2500mm from a fall edge.



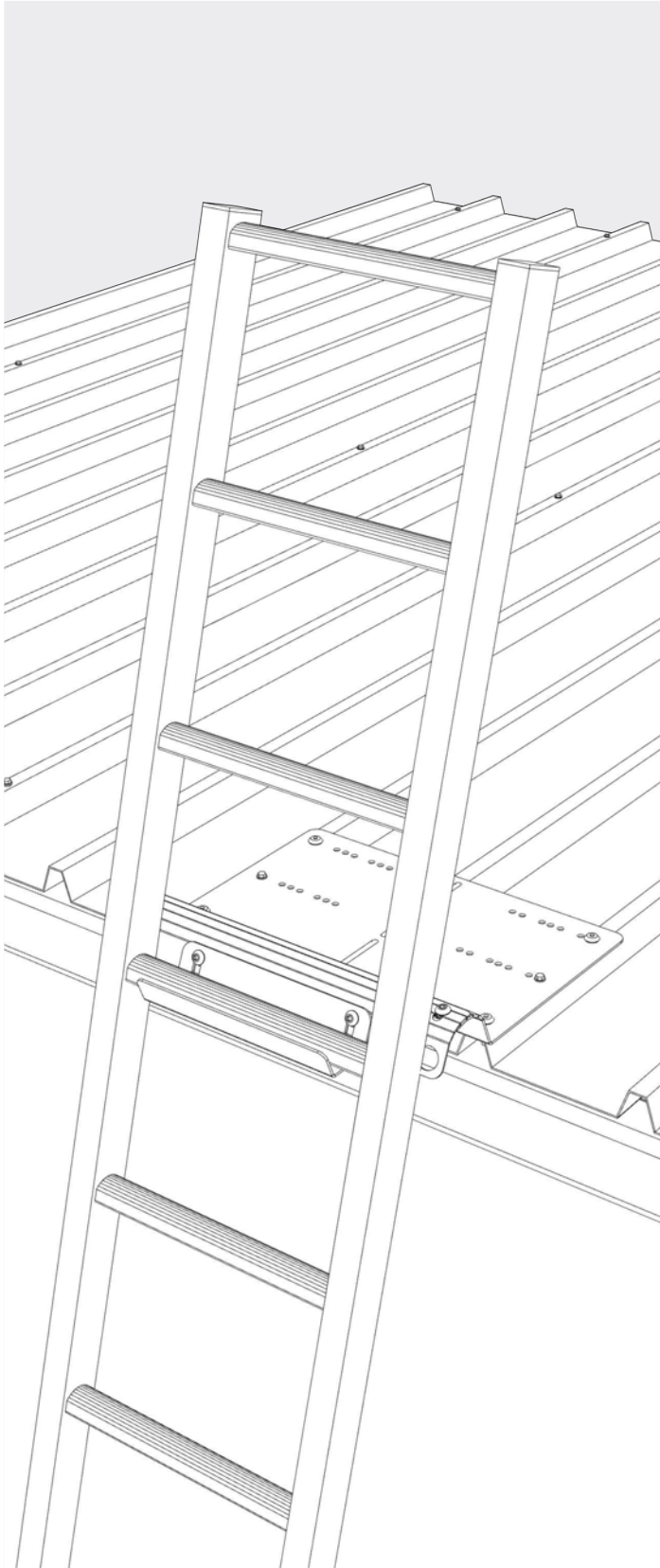
Kattsafe recommends that the entry point to a roof should be positioned to provide the shortest route to all locations on the roof.

Where the operator is required to be constantly attached to the fall arrest system and the lengths of the travel is beyond 15m, Kattsafe recommends that additional access points be provided rather than increasing the rope lanyard length which will become heavy and cumbersome to use.



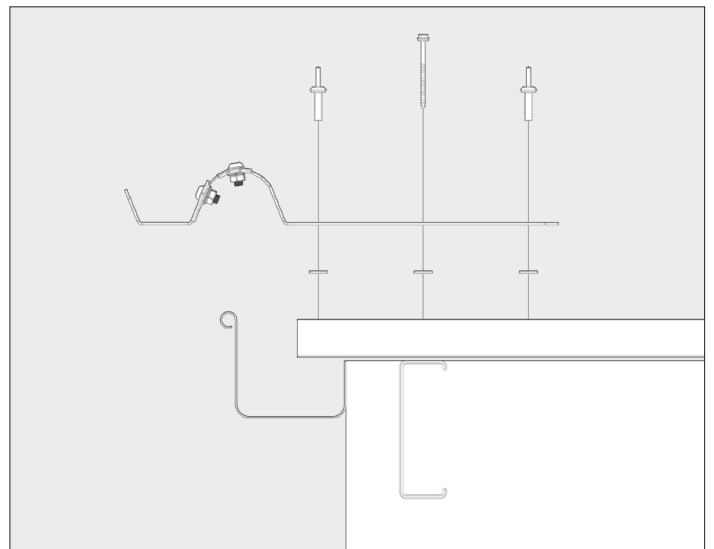
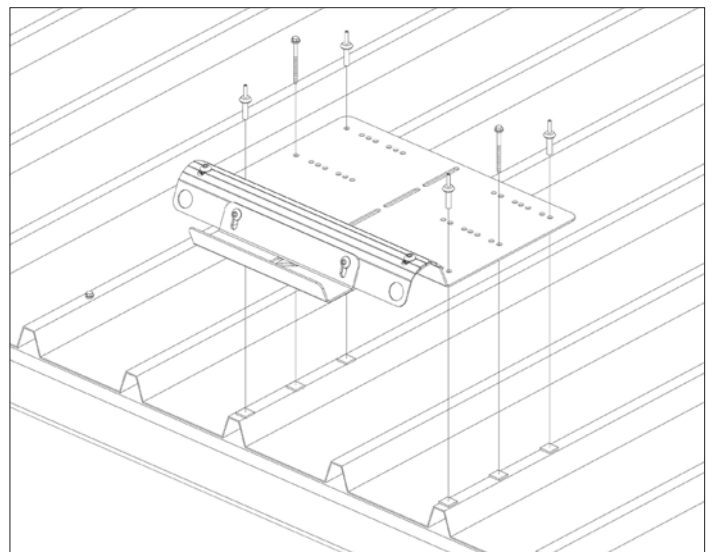
This document does not in any way replace the full Australian Standard document AS/NZS 1657-2013 which should be read and properly understood prior to installation of this system.

RL402 ROOF MOUNT BRACKET INSTALLATION PROCEDURE

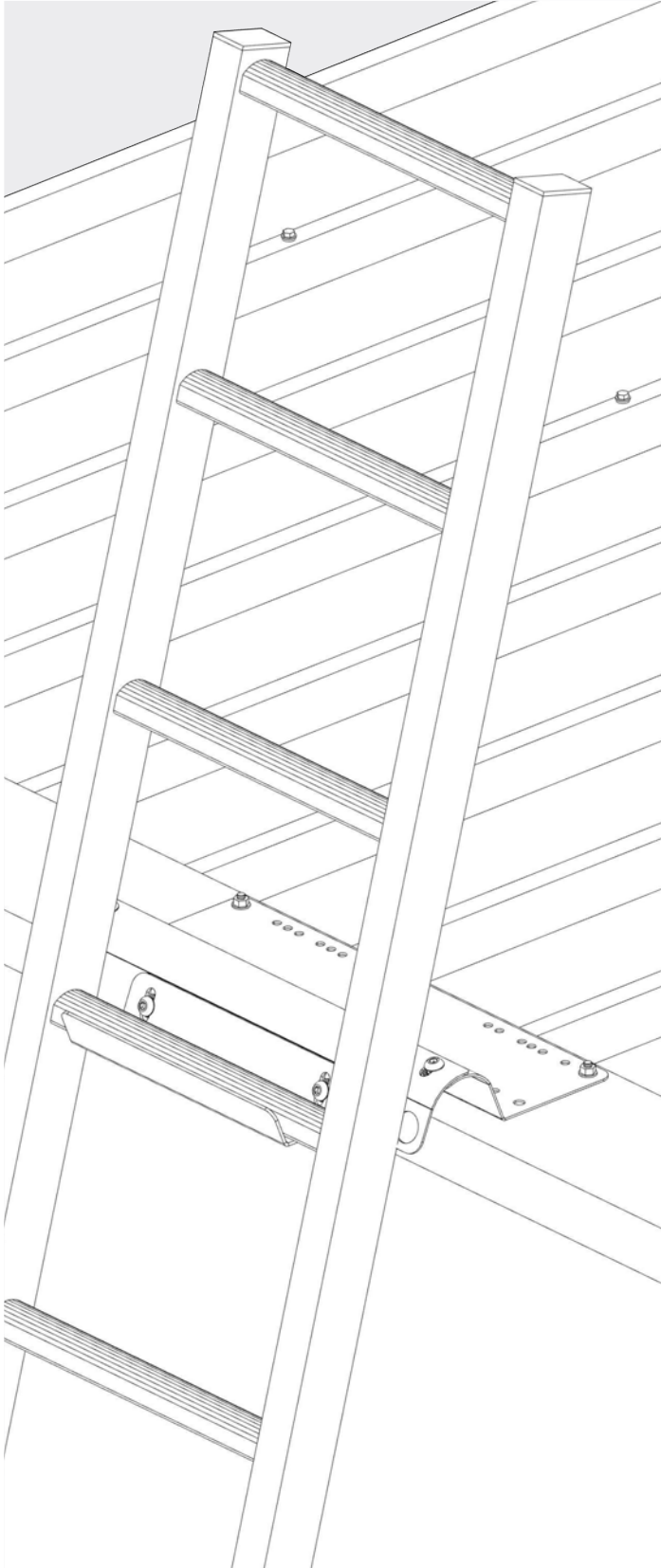


Step 1

- QTY 6 - 8mm bulb-type Rivets OR
- QTY 4 - 8mm bulb-type Rivets and QTY 2 - 12g or 14g tek screw into purlin.

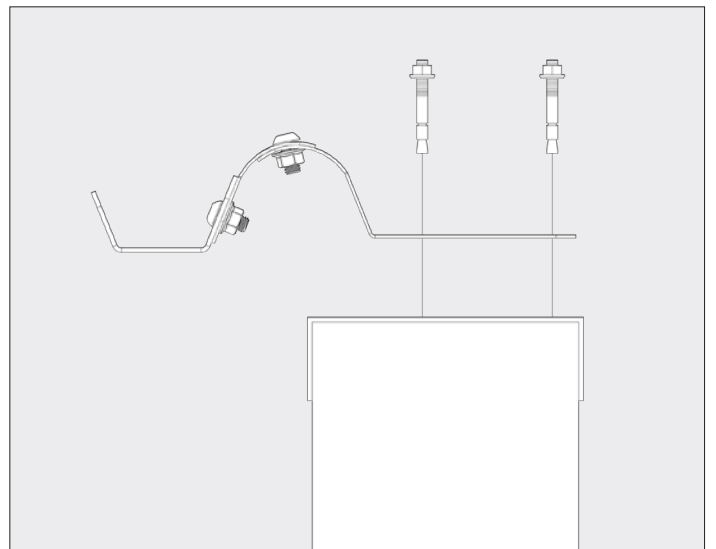
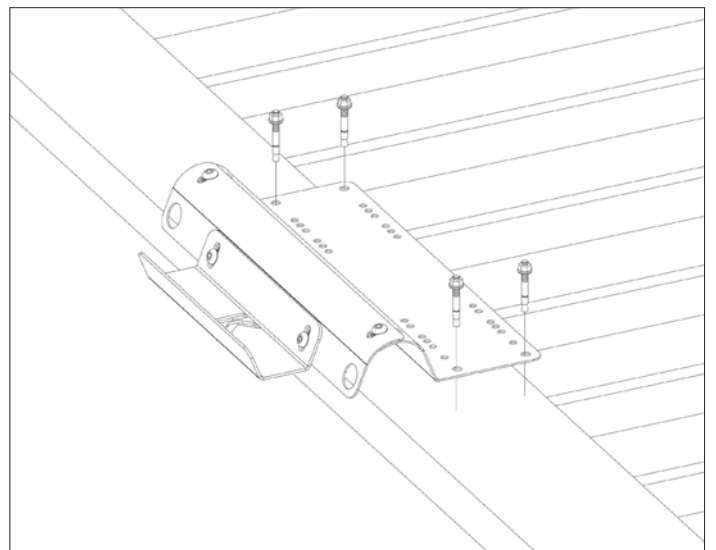


RL402 PARAPET MOUNT BRACKET INSTALLATION PROCEDURE

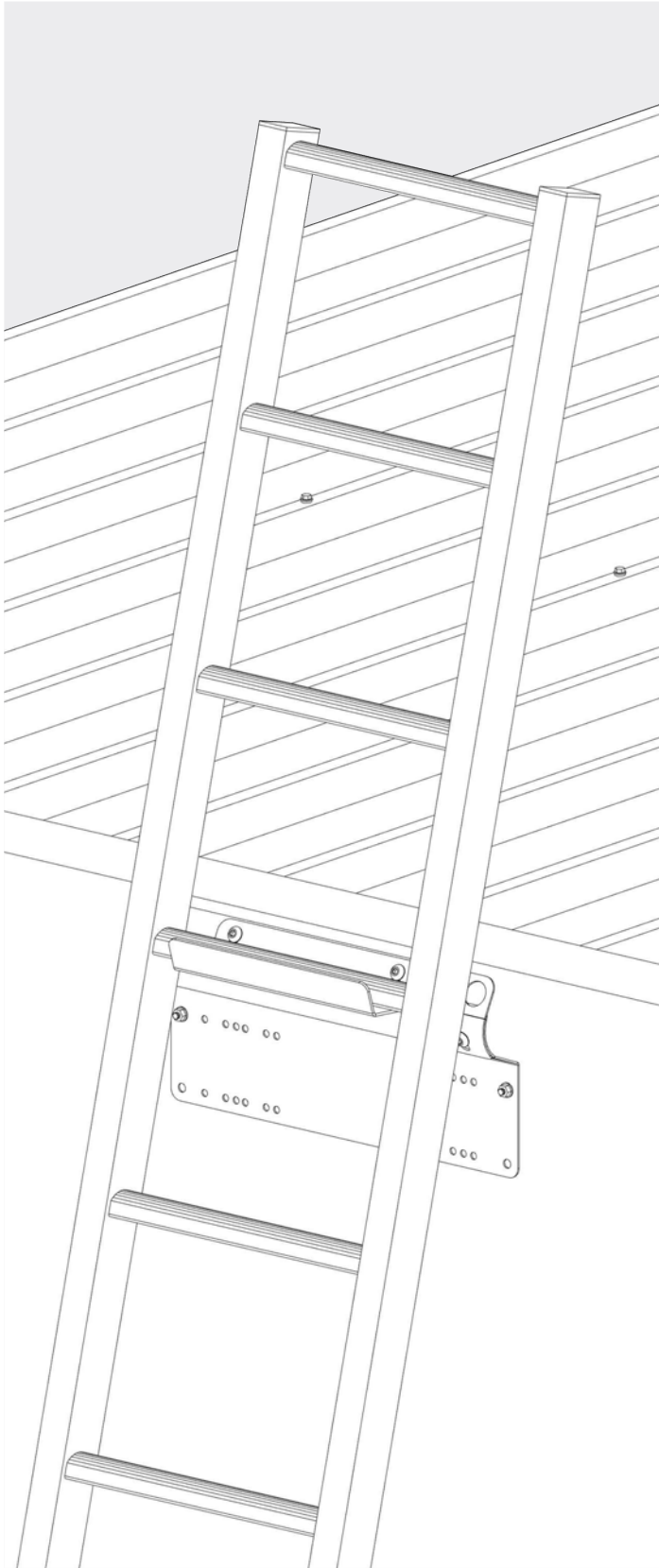


Step 1

- Concrete structure using QTY 4 - 8mm x 75mm screw bolt or wedge anchor (3 minimum).
- Timber structure using QTY 4 - 14g type 17 timber screw
- Steel structure using QTY 2 - 8mm bolt set or QTY 4 - 14g tek screws

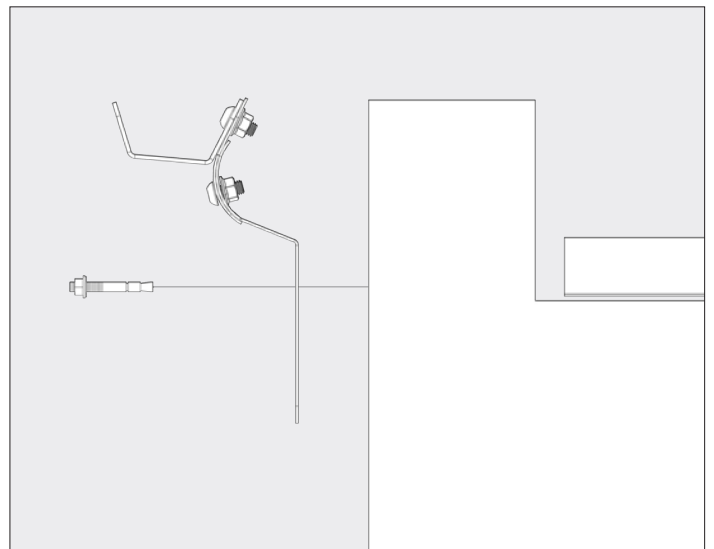
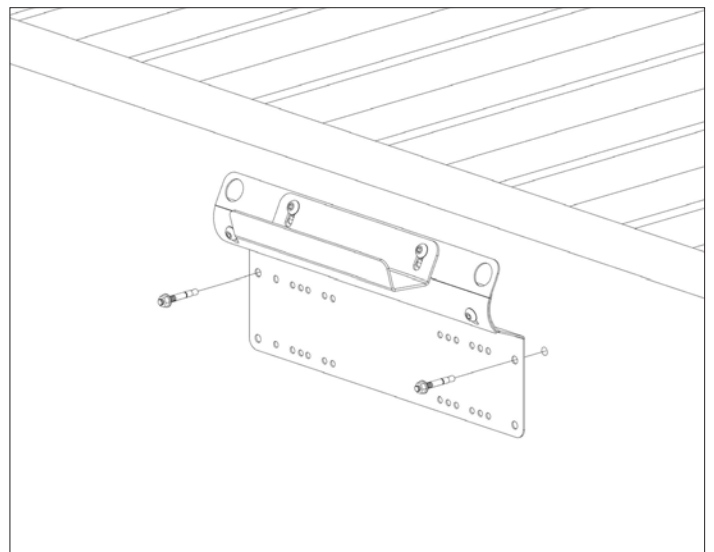


RL401 WALL MOUNT BRACKET INSTALLATION PROCEDURE



Step 1

- Concrete structure using QTY 4 - 8mm x 75mm screw bolt or wedge anchor (3 minimum).
- Timber structure using QTY 4 - 14g type 17 timber screw
- Steel structure using QTY 2 - 8mm bolt set or QTY 4 - 14g tek screws



SYSTEM MAINTENANCE

Must be read prior to checklist


1. The ladder support bracket needs to be checked and recertified by a competent height safety inspector every 12 months for non corrosive environments or 6 monthly for corrosive or harsh environments. (To be determined by competent person depending on severity of surrounding conditions.)
2. Never clean using acids or other chemicals that could damage the system components.
3. Ensure all fixings into the support structure are secure and the adjustment pitch and angle locking screws are secure.
4. The identification label must be completed to confirm recertification has been carried out.
5. Any deterioration or damage to the system or equipment must be reported to person in control of the workplace and relevant corrective action undertaken.
6. Maintenance inspections must be clearly documented. Any non-conformance must be clearly identified and tagged 'Do Not Use' until corrective action by a competent person.

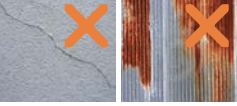



MAINTENANCE CHECKLIST

The checklist below outlines key checking criteria required to ensure the safe use of this system. Any item of concern not shown on the checklist must be noted on the maintenance report and brought to the attention of the workplace manager.

Items ticked PASS - YES means they conform with the required checking criteria and are suitable for normal use until the next recertification date. System data plates must be updated showing current check date and next check date.

Item ticked PASS - NO means they do not conform to the required checking criteria. These items must be clearly tagged 'Do Not Use' and the required corrective actions put in place. The maintenance report must clearly document all non-conforming criteria.

 **This system must be maintained by a competent height safety inspector trained in the safe use and maintenance of this system.**

Component	Inspection criteria	Pass Y/N	Corrective action	Completion date
Structure 	Check condition of structure and ensure no deterioration which will effect system performance.			
Fixings 	Check fixings into structure are secure.			
	Check fixings which lock the adjustable pitch plate and ladder support are secure.			
Labels 	Check instruction labels are visible and easily legible.			
	Update system recertification data plates including current and next maintenance due date.			

TECHNICAL SPECIFICATION

Ladder support brackets

RL401, RL402

Ladder support bracket which provides a secure attachment point for portable ladders. System design, supply, layout, installation and certification by a Kattsafe approved installer, as per the manufacturer's installation instructions and current standards.

Materials

Profiled aluminium, powder coated

Dimensions

RL401: 480 (W) x 160 (D) x 240mm (H)

RL402: 480 (W) x 480 (D) x 70mm (H)

Weight

RL401: 1.5kg

RL402: 2kg

Fixings (refer to installation manual)

- Concrete structure using QTY 4 - 8mm x 75mm screw bolt or wedge anchor (3 minimum).
- Timber structure using QTY 4 - 14g type 17 timber screw
- Steel structure using QTY 2 - 8mm bolt set or QTY 4 - 14g tek screws
- QTY 6 - 8mm bulb-type Rivets OR
- QTY 4 - 8mm bulb-type Rivets and QTY 2 - 12g or 14g tek screw into purlin.

Substructure requirements

Support structure integrity, suitability and fixing method to be assessed and determined by a competent person prior to installation.

Rating

150kg rated, single person use

Compliance

Kattsafe ladder brackets are designed to conform with requirements of the Australian & New Zealand Standards AS/ NZS 1657:2018 and AS/ NZS1891 and relevant codes of practices and guidelines.

Testing

Testing and performance based on single person use (max 120kg) using an Australian Standards approved portable ladder.

Product warranty

10 years from date of purchase subject to correct installation. Use and maintenance to be in accordance with manufacturer's specifications and recommendations.

Inspection and maintenance

Visual inspection for any damage or loose fixings must be done periodically and prior to use. No certified maintenance required. Basic wear/ tear preventative maintenance is recommended, as per manufacturer's specifications and recommendations.

Important note

Failure to supply and/or install proprietary product in accordance with above standards and codes, specifications and instructions voids complete system certification and/or warranty

WARRANTY INFORMATION

Warranty period on this system:
10 years from date of purchase

Should you have a warranty claim as a result of a defect the following procedure must be followed:

Identify the following information:

- The product/system name and code number.
- The date of purchase/installation.
- Installation company details.
- The installation identification number.
- The name of the company using this system.
- A description of the defect/warranty claim.
- The periodic system maintenance report.

Forward the above information to sales@kattsafe.com.au or contact technical helpline, 1300 301 755.

Terms and conditions

All warranty claims must be made in writing within 14 days of the appearance of the defect.

Incorrect installation or work done by a non accredited Kattsafe system installer will void all warranty rights.

Systems that have been installed using non proprietary equipment will void all warranties.

System roof/cladding and concrete penetration seals are not covered in this warranty.

Systems/components that have not been maintained in accordance with manufacturer's/legislative requirements will void warranty.

Systems used by incompetent persons or use with non compatible accessories ie. harness gear, lanyards, travellers, fall arrestors etc. will void warranty.

Systems/components used for purposes other than their intended use will void warranty.

General wear and tear is expected and will depend on the frequency of use and is not covered by warranty.



Product brochure
Ladder support brackets



Installation manual
Ladder support brackets



QMS Certification
Kattsafe Australia

Find all related products and resources on our website.
kattsafe.com.au

Kattsafe

Height access
and fall protection

1029 Mountain Highway
Boronia Victoria 3155
Australia

1300 301 755
sales@kattsafe.com.au
kattsafe.com.au